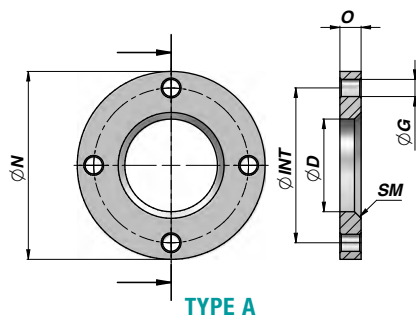
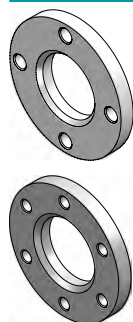
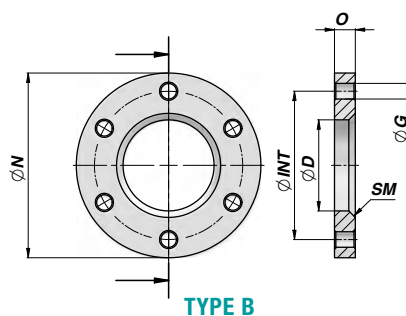


CFL

FLANGIA  
FLANGE



TYPE A



TYPE B

Codice Code	ØD (+0,2 +0,3)	ØN	O	TYPE	ØG	ØINT	SM	kg	Confezione Box	Pz Pcs
CFL0035072	35	72	10.0	A	ø 7 x 4	60	3x45°	0,23	Z50CFL0035072	50
CFL0040080	40	80	12.0	A	ø 9 x 4	65	3x45°	0,33	Z25CFL0040080	25
CFL0042089	42	89	12.0	A	ø 9 x 4	70	3x45°	0,43	Z20CFL0042089	20
CFL0045095	45	95	12.0	A	ø 9 x 4	75	3x45°	0,49	Z20CFL0045095	20
CFL0050109	50	109	12.5	A	ø 11 x 4	87	4x45°	0,66	Z25CFL0050109	25
CFL0055123	55	123	14.5	A	ø 11 x 4	100	4x45°	1,03	Z15CFL0055123	15
CFL0060128	60	128	14.5	A	ø 13 x 4	105	4x45°	1,09	Z20CFL0060128	20
CFL0065135	65	135	15.5	A	ø 13 x 4	110	4x45°	1,26	Z10CFL0065135	10
CFL0070142	70	142	16.5	A	ø 13 x 4	117	5x45°	1,50	Z10CFL0070142	10
CFL0073145	73	145	16.5	A	ø 13 x 4	120	5x45°	1,50	Z10CFL0073145	10
CFL0075152	75	152	16.5	A	ø 13 x 4	125	5x45°	1,68		
CFL0080162	80	162	16.5	A	ø 15 x 4	127	5x45°	1,94		
CFL0090175	90	175	18.5	A	ø 15 x 4	145	5x45°	2,44		
CFL0095181	95	181	18.5	B	ø 17 x 6	149	7x45°	2,53		
CFL0100188	100	188	18.5	B	ø 17 x 6	155	7x45°	2,81		
CFL0105188	105	188	24.5	B	ø 17 x 6	156	8x45°	3,44		
CFL0115194	115	194	24.5	B	ø 17 x 6	162	8x45°	3,47		
CFL0125228	123	228	28.0	B	ø 21 x 6	190	8x45°	5,93		
CFL0140240	138	240	28.0	B	ø 21 x 6	200	8x45°	6,05		
CFL0145250	143	250	28.0	B	ø 21 x 6	210	8x45°	6,65		
CFL0160280	158	280	33.0	B	ø 23 x 6	230	10x45°	9,98		
CFL0170300	168	300	38.0	B	ø 25 x 6	250	12x45°	13,24		
CFL0180325	178	325	38.0	B	ø 28 x 6	270	12x45°	15,84		

MATERIALE : ACCIAIO S355J0 (Fe510C)

MATERIAL : STEEL S355J0 (Fe510C)